



HADBRO TRANSMISSION PRODUCTS

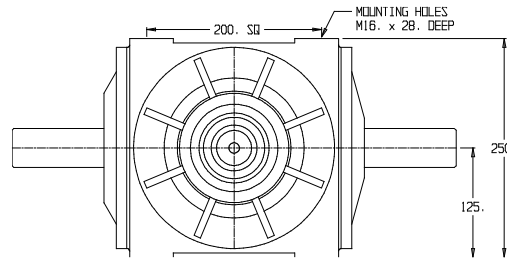
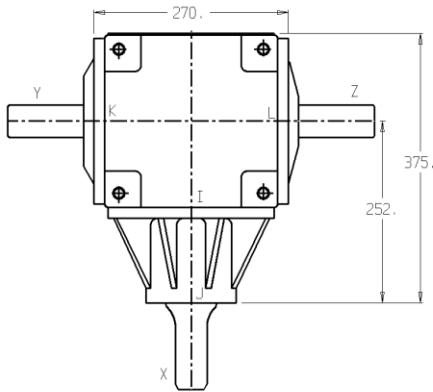
MISCELLANEOUS APPLICATIONS

MODEL:

GB-38

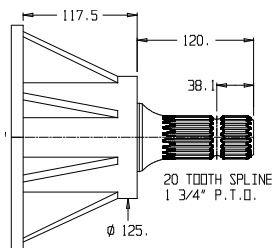
BEARINGS

- I – 32016
- J – 33211
- K – 33209
- L – 32016

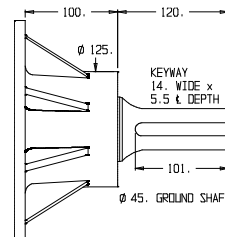


INPUT SHAFT DETAILS

R



U

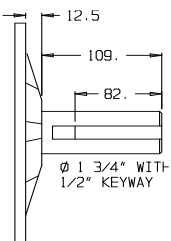


WEIGHT
71 Kg

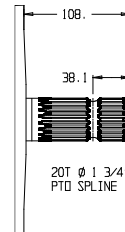
GEAR LUBRICATION
HD 85W140

OUTPUT SHAFT DETAILS

S



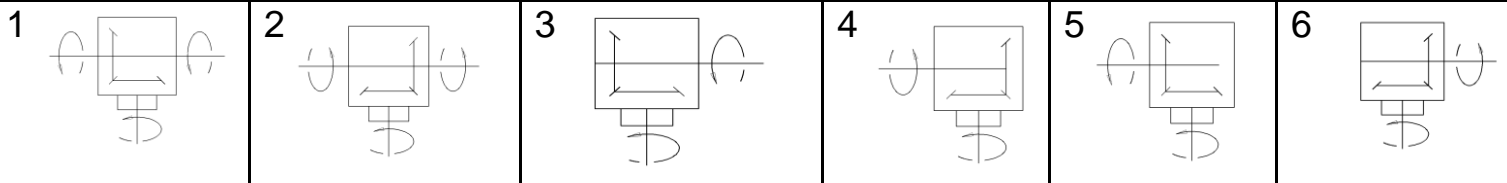
T



GEARS
CASE HARDENED
SHAFTS
HARDENED & GROUND

RATIO	INPUT R.P.M.	INPUT SHAFT	INPUT TYPE	POWER		OUTPUT TORQUE		SHAFTS			GEAR ASSY	CODE No	PRICE EX GST
				H.P.	K.W.	Lb Ins	NM	X	Y	Z			
1:1	540	X	R	190	140	22100	2500	R	S	S	1 & 2	A38R100S	\$3300.00
			R					T	T	A38R100T		\$3300.00	
			U					S	S	A38U100S		\$3300.00	
			U					T	T	A38U100T		\$3300.00	
			R					S	-	3 & 4	B38R100S	\$3300.00	
			R					T	-		B38R100T	\$3300.00	
			U					S	-		B38U100S	\$3300.00	
			U					T	-		B38U100T	\$3300.00	
			R					-	S	5 & 6	C38R100S	\$3300.00	
			R					-	T		C38R100T	\$3300.00	
			U					-	S		C38U100S	\$3300.00	
			U					-	T		C38U100T	\$3300.00	

GEAR ASSEMBLY & SHAFT ROTATION





HADBRO TRANSMISSION PRODUCTS

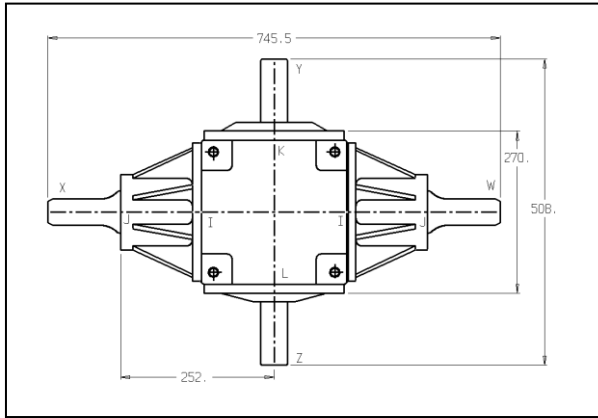
MISCELLANEOUS APPLICATIONS

MODEL:

GB-38

BEARINGS

- I – 32016
- J – 33211
- K – 33209
- L – 32016



RATIO	INPUT R.P.M.	INPUT SHAFT	INPUT TYPE	POWER		OUTPUT TORQUE		SHAFTS				GEAR ASSY	CODE No	PRICE EX GST
				H.P.	K.W.	Lb Ins	NM	W	X	Y	Z			
1:1	540	Z	T	190	140	22100	2500	R	R	-	T	7	D38T100R	\$3780.00
			R					R	T	T	8			

GEAR ASSEMBLY & SHAFT ROTATION – LOOKING FROM TOP

7 	8 			
--------------	--------------	--	--	--